

SharkBite Quarter Turn Ball Valve

A high-performance, time and labour saving brass push-fit fitting. Suitable for hot and cold water, central heating and recirculating hot water systems.

Overview

SharkBite push-fit fittings and valves are tough. Brass bodied, nickel plated full flow isolation valves are easily activated by the lever handle. Available with red or blue handle to help identify hot or cold water.

Using a simple and instant push action, SharkBite valves are safer and cleaner to install than traditional methods as there is no need for tools, soldering, crimping, clamps or glue. SharkBite valves are also compatible with copper or JG Speedfit PEX Barrier pipe. Valves can be easily disconnected and are immediately re-usable.

Features

- Instant push-fit connection
- Stainless steel grab ring firmly and securely grips copper or plastic pipe
- KIWA Class III approved EDPM O-Ring withstands high temperatures
- Lead-free and non-toxic 4MS compliant DZR brass
- Electrically continuous without the need for extra earth bonding
- 1/4 turn handle for simple isolation

Benefits

- Durable and secure solution with high pressure and temperature rating
- 40% faster to install than traditional methods
- Full bore design for high flow performance
- Rapid isolation, simple to operate lever
- Safe and simple to install using no tools, hot works, crimping, clamps or glue
- Easy to fit, especially in tight spaces when manoeuvring tools is difficult
- Secure tamperproof demounting
- Nickel plated body



SBE2715

Product code	Size	Description	Bag quantity
SBE2715	15mm	Quarter Turn Ball Valve	1
SBE2715-Z	15mm	Quarter Turn Ball Valve	5
SBE2722	22mm	Quarter Turn Ball Valve	1
SBE2722-Z	22mm	Quarter Turn Ball Valve	5



*For copper pipe
12-28mm



*For copper pipe 12-28mm & JG Speedfit PEX Barrier
Pipe 12mm and 15mm

SharkBite Quarter Turn Ball Valve

Working pressures and temperatures

Size	Pipe	Pressure/temperature			
15mm	PEX-B	12 Bar / -20°C min	12 Bar / 20°C max	6 Bar / 65°C min	6 Bar / 95°C max
	Copper	20 Bar / -24°C min	20 Bar / 30°C max	16 Bar / 65°C min	10 Bar / 120°C max
22mm	PEX-B	12 Bar / -20°C min	12 Bar / 20°C max	6 Bar / 65°C min	6 Bar / 95°C max
	Copper	20 Bar / -24°C min	20 Bar / 30°C max	16 Bar / 65°C min	10 Bar / 120°C max

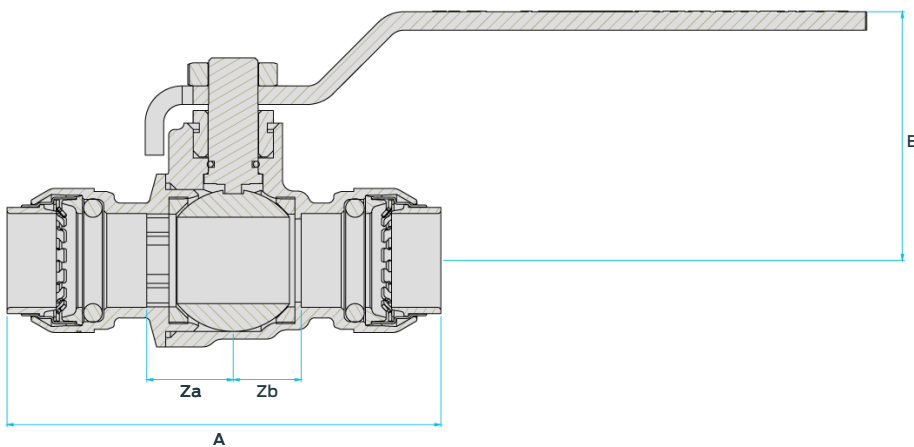
Application

- Hot and cold water
- Central heating systems
- Hot recirculating systems

Materials

Body	CW724R Lead Free DZR Brass
Ball	CW724R Lead Free DZR Brass
Stem	CW724R Lead Free DZR Brass
Lever	PVC Coated Steel
O-Ring	Ethylene Polypropylene Diene Monomer (EPDM)
Cartridge Ring	304 Stainless Steel
Alignment Ring	Nylon 6
Grab Ring	316 Stainless Steel
Disconnecting Ring	Acetal Copolymer

Dimensions



Product code	Size	A	Za	B	Zb
SBE2715	15mm	76mm	13mm	43mm	13mm
SBE2722	22mm	92mm	17mm	48mm	17mm